

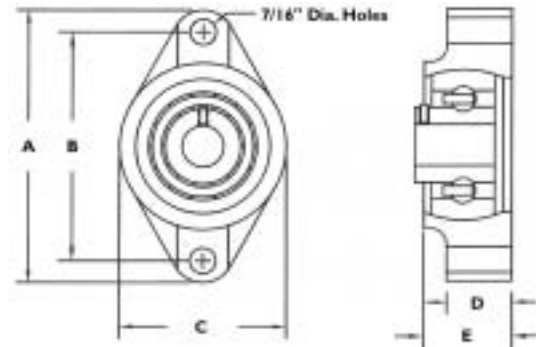
2 Bolt Flange Mounted Bearings

2 Bolt Flange Bearings

Part # w/ UHMW Insert	Part # w/ Nyoil Insert	Shaft Diameter	Series	A	B	C	D	E	F	G
2FLH204-12	2FLH204-12N	3/4"	204	4-13/32"	3-17/32"	1/2"	3/4"	1-3/8"	7/16"	2-3/8"
2FLH205-13	2FLH205-13N	13/16"	205	5"	3-7/8"	1/2"	23/32"	1-11/32"	7/16"	2-3/4"
2FLH205-14	2FLH205-14N	7/8"	205	5"	3-7/8"	1/2"	23/32"	1-11/32"	7/16"	2-3/4"
2FLH205-15	2FLH205-15N	15/16"	205	5"	3-7/8"	1/2"	23/32"	1-11/32"	7/16"	2-3/4"
2FLH205-16	2FLH205-16N	1"	205	5"	3-7/8"	1/2"	23/32"	1-11/32"	7/16"	2-3/4"
2FLH206-17	2FLH206-17N	1-1/16"	206	5-9/16"	4-19/32"	1/2"	13/16"	1-1/2"	7/16"	3-1/4"
2FLH206-18	2FLH206-18N	1-1/8"	206	5-9/16"	4-19/32"	1/2"	13/16"	1-1/2"	7/16"	3-1/4"
2FLH206-19	2FLH206-19N	1-3/16"	206	5-9/16"	4-19/32"	1/2"	13/16"	1-1/2"	7/16"	3-1/4"
2FLH207-20	2FLH207-20N	1-1/4"	207	6-5/16"	5-1/8"	9/16"	7/8"	1-5/8"	33/64"	3-5/8"
2FLH207-21	2FLH207-21N	1-5/16"	207	6-5/16"	5-1/8"	9/16"	7/8"	1-5/8"	33/64"	3-5/8"
2FLH207-22	2FLH207-22N	1-3/8"	207	6-5/16"	5-1/8"	9/16"	7/8"	1-5/8"	33/64"	3-5/8"
2FLH207-23	2FLH207-23N	1-7/16"	207	6-5/16"	5-1/8"	9/16"	7/8"	1-5/8"	33/64"	3-5/8"
2FLH208-24	2FLH208-24N	1-1/2"	208	6-3/4"	5-21/32"	9/16"	15/16"	1-11/16"	33/64"	4-1/8"
2FLH208-25	2FLH208-25N	1-9/16"	208	6-3/4"	5-21/32"	9/16"	15/16"	1-11/16"	33/64"	4-1/8"

2 Bolt Flange Bearings with S.S. Shaft Guards

Part # w/ UHMW Insert	Part # w/ Nyoil Insert	Shaft Diameter	Series	A	B	C	D	E	F	G
2FLH204-12SP	2FLH204-12SPN	3/4"	204	4-13/32"	3-17/32"	1/2"	3/4"	1-3/8"	7/16"	2-3/8"
2FLH205-13SP	2FLH205-13SPN	13/16"	205	5"	3-7/8"	1/2"	23/32"	1-11/32"	7/16"	2-3/4"
2FLH205-14SP	2FLH205-14SPN	7/8"	205	5"	3-7/8"	1/2"	23/32"	1-11/32"	7/16"	2-3/4"
2FLH205-15SP	2FLH205-15SPN	15/16"	205	5"	3-7/8"	1/2"	23/32"	1-11/32"	7/16"	2-3/4"
2FLH205-16SP	2FLH205-16SPN	1"	205	5"	3-7/8"	1/2"	23/32"	1-11/32"	7/16"	2-3/4"
2FLH206-17SP	2FLH206-17SPN	1-1/16"	206	5-9/16"	4-19/32"	1/2"	13/16"	1-1/2"	7/16"	3-1/4"
2FLH206-18SP	2FLH206-18SPN	1-1/8"	206	5-9/16"	4-19/32"	1/2"	13/16"	1-1/2"	7/16"	3-1/4"
2FLH206-19SP	2FLH206-19SPN	1-3/16"	206	5-9/16"	4-19/32"	1/2"	13/16"	1-1/2"	7/16"	3-1/4"
2FLH207-20SP	2FLH207-20SPN	1-1/4"	207	6-5/16"	5-1/8"	9/16"	7/8"	1-5/8"	33/64"	3-5/8"
2FLH207-21SP	2FLH207-21SPN	1-5/16"	207	6-5/16"	5-1/8"	9/16"	7/8"	1-5/8"	33/64"	3-5/8"
2FLH207-22SP	2FLH207-22SPN	1-3/8"	207	6-5/16"	5-1/8"	9/16"	7/8"	1-5/8"	33/64"	3-5/8"
2FLH207-23SP	2FLH207-23SPN	1-7/16"	207	6-5/16"	5-1/8"	9/16"	7/8"	1-5/8"	33/64"	3-5/8"
2FLH208-24SP	2FLH208-24SPN	1-1/2"	208	6-3/4"	5-21/32"	9/16"	15/16"	1-11/16"	33/64"	4-1/8"
2FLH208-25SP	2FLH208-25SPN	1-9/16"	208	6-3/4"	5-21/32"	9/16"	15/16"	1-11/16"	33/64"	4-1/8"



4 Bolt Flange Mounted Bearings

4 Bolt Flange Bearings

Part # w/ UHMW Insert	Part # w/ Nyoil Insert	Shaft Diameter	Series	A	B	C	D	E	F	G
4FLH204-12	4FLH204-12N	3/4"	204	3-3/8"	2-1/2"	1/2"	3/4"	1-3/8"	7/16"	2-3/8"
4FLH205-13	4FLH205-13N	13/16"	205	3-3/4"	2-3/4"	1/2"	3/4"	1-3/8"	7/16"	2-3/4"
4FLH205-14	4FLH205-14N	7/8"	205	3-3/4"	2-3/4"	1/2"	3/4"	1-3/8"	7/16"	2-3/4"
4FLH205-15	4FLH205-15N	15/16"	205	3-3/4"	2-3/4"	1/2"	3/4"	1-3/8"	7/16"	2-3/4"
4FLH205-16	4FLH205-16N	1"	205	3-3/4"	2-3/4"	1/2"	3/4"	1-3/8"	7/16"	2-3/4"
4FLH206-17	4FLH206-17N	1-1/16"	206	4-1/4"	3-1/4"	1/2"	13/16"	1-5/8"	7/16"	3-1/4"
4FLH206-18	4FLH206-18N	1-1/8"	206	4-1/4"	3-1/4"	1/2"	13/16"	1-5/8"	7/16"	3-1/4"
4FLH206-19	4FLH206-19N	1-3/16"	206	4-1/4"	3-1/4"	1/2"	13/16"	1-5/8"	7/16"	3-1/4"
4FLH207-20	4FLH207-20N	1-1/4"	207	4-5/8"	3-5/8"	9/16"	7/8"	1-11/16"	33/64"	3-3/4"
4FLH207-21	4FLH207-21N	1-5/16"	207	4-5/8"	3-5/8"	9/16"	7/8"	1-11/16"	33/64"	3-3/4"
4FLH207-22	4FLH207-22N	1-3/8"	207	4-5/8"	3-5/8"	9/16"	7/8"	1-11/16"	33/64"	3-3/4"
4FLH207-23	4FLH207-23N	1-7/16"	207	4-5/8"	3-5/8"	9/16"	7/8"	1-11/16"	33/64"	3-3/4"
4FLH208-24	4FLH208-24N	1-1/2"	208	5-1/8"	4"	9/16"	15/16"	1-1/2"	33/64"	4"
4FLH208-25	4FLH208-25N	1-9/16"	208	5-1/8"	4"	9/16"	15/16"	1-1/2"	33/64"	4"

4 Bolt Flange Bearings with S.S. Shaft Guards

Part # w/ UHMW Insert	Part # w/ Nyoil Insert	Shaft Diameter	Series	A	B	C	D	E	F	G
4FLH204-12SP	4FLH204-12SPN	3/4"	204	3-3/8"	2-1/2"	1/2"	3/4"	1-3/8"	7/16"	2-3/8"
4FLH205-13SP	4FLH205-13SPN	13/16"	205	3-3/4"	2-3/4"	1/2"	3/4"	1-3/8"	7/16"	2-3/4"
4FLH205-14SP	4FLH205-14SPN	7/8"	205	3-3/4"	2-3/4"	1/2"	3/4"	1-3/8"	7/16"	2-3/4"
4FLH205-15SP	4FLH205-15SPN	15/16"	205	3-3/4"	2-3/4"	1/2"	3/4"	1-3/8"	7/16"	2-3/4"
4FLH205-16SP	4FLH205-16SPN	1"	205	3-3/4"	2-3/4"	1/2"	3/4"	1-3/8"	7/16"	2-3/4"
4FLH206-17SP	4FLH206-17SPN	1-1/16"	206	4-1/4"	3-1/4"	1/2"	13/16"	1-5/8"	7/16"	3-1/4"
4FLH206-18SP	4FLH206-18SPN	1-1/8"	206	4-1/4"	3-1/4"	1/2"	13/16"	1-5/8"	7/16"	3-1/4"
4FLH206-19SP	4FLH206-19SPN	1-3/16"	206	4-1/4"	3-1/4"	1/2"	13/16"	1-5/8"	7/16"	3-1/4"
4FLH207-20SP	4FLH207-20SPN	1-1/4"	207	4-5/8"	3-5/8"	9/16"	7/8"	1-11/16"	33/64"	3-3/4"
4FLH207-21SP	4FLH207-21SPN	1-5/16"	207	4-5/8"	3-5/8"	9/16"	7/8"	1-11/16"	33/64"	3-3/4"
4FLH207-22SP	4FLH207-22SPN	1-3/8"	207	4-5/8"	3-5/8"	9/16"	7/8"	1-11/16"	33/64"	3-3/4"
4FLH207-23SP	4FLH207-23SPN	1-7/16"	207	4-5/8"	3-5/8"	9/16"	7/8"	1-11/16"	33/64"	3-3/4"
4FLH208-24SP	4FLH208-24SPN	1-1/2"	208	5-1/8"	4"	9/16"	15/16"	1-1/2"	33/64"	4"
4FLH208-25SP	4FLH208-25SPN	1-9/16"	208	5-1/8"	4"	9/16"	15/16"	1-1/2"	33/64"	4"

