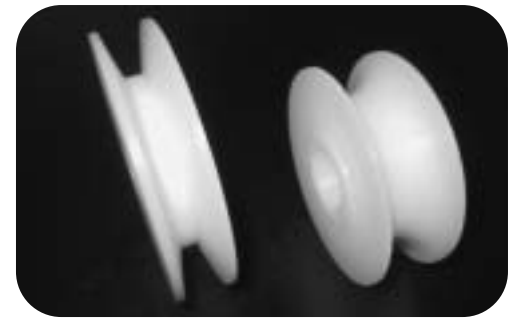


Pulleys

Flat Belt Pulleys

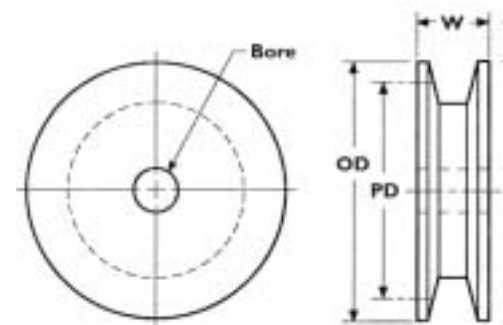
P/N	A	B	C	D
UFBP4814	3.00"	2.5"	.75"	1.00"
UFBP4816	3.00"	2.5"	1.00"	1.25"
UFBP5614	3.50"	3"	.75"	1.00"
UFBP5616	3.50"	3"	1.00"	1.25"
UFBP7214	4.50"	4"	.75"	1.00"
UFBP7216	4.50"	4"	1.00"	1.25"
UFBP8816	5.50"	5"	1.00"	1.25"



V-Belt Pulleys A-Belt

P/N	PD	OD	W	Stock Bore
UVBA0150	1.50"	1.75"	3/4"	1/4"
UVBA0180	1.80"	2.05"	3/4"	1/4"
UVBA0190	1.90"	2.05"	3/4"	1/4"
UVBA0200	2.00"	2.25"	3/4"	1/4"
UVBA0210	2.10"	2.35"	3/4"	1/4"
UVBA0230	2.30"	2.55"	3/4"	1/4"
UVBA0240	2.40"	2.65"	3/4"	1/4"
UVBA0250	2.50"	2.75"	3/4"	1/4"
UVBA0260	2.60"	2.85"	3/4"	1/4"
UVBA0280	2.80"	3.05"	3/4"	1/4"
UVBA0300	3.00"	3.25"	3/4"	1/4"
UVBA0320	3.20"	3.45"	3/4"	1/2"
UVBA0340	3.40"	3.65"	3/4"	1/2"
UVBA0360	3.60"	3.85"	3/4"	1/2"
UVBA0380	3.80"	4.05"	3/4"	1/2"
UVBA0400	4.00"	4.25"	3/4"	1/2"
UVBA0420	4.20"	4.45"	3/4"	1/2"
UVBA0500	5.00"	5.25"	3/4"	1/2"
UVBA0520	5.20"	5.45"	3/4"	1/2"
UVBA0540	5.40"	5.65"	3/4"	1/2"
UVBA0560	5.60"	5.85"	3/4"	1/2"
UVBA0580	5.80"	6.05"	3/4"	1/2"
UVBA0600	6.00"	6.25"	3/4"	1/2"
UVBA0620	6.20"	6.45"	3/4"	1/2"
UVBA0640	6.40"	6.45"	3/4"	1/2"
UVBA0700	7.00"	7.25"	3/4"	1/2"
UVBA0820	8.20"	8.45"	3/4"	1/2"
UVBA0900	9.00"	9.25"	3/4"	1/2"
UVBA1060	10.60"	10.85"	3/4"	1/2"
UVBA1200	12.00"	12.25"	3/4"	1/2"

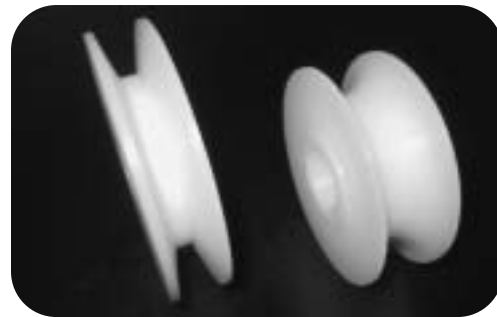
 **NOTE!**
UHMW-PE



Pulleys

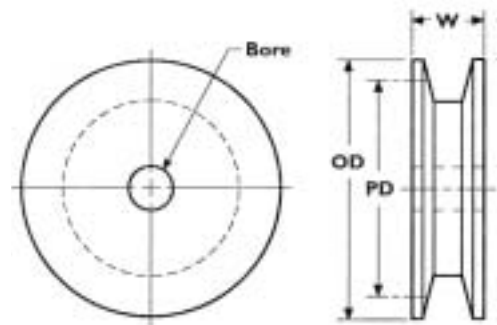
V-Belt Pulleys B-Belt

P/N	PD	OD	W	Stock Bore
UVBB0340	3.40"	3.75"	1"	1/2"
UVBB0360	3.60"	3.95"	1"	1/2"
UVBB0380	3.80"	4.15"	1"	1/2"
UVBB0400	4.00"	4.35"	1"	1/2"
UVBB0420	4.20"	4.55"	1"	1/2"
UVBB0440	4.40"	4.75"	1"	1/2"
UVBB0460	4.60"	4.95"	1"	1/2"
UVBB0480	4.80"	5.15"	1"	1/2"
UVBB0500	5.00"	5.35"	1"	1/2"
UVBB0520	5.20"	5.55"	1"	1/2"
UVBB0540	5.40"	5.75"	1"	1/2"
UVBB0560	5.60"	5.95"	1"	1/2"
UVBB0580	5.80"	6.15"	1"	1/2"
UVBB0600	6.00"	6.35"	1"	1/2"
UVBB0620	6.20"	6.55"	1"	1/2"
UVBB0640	6.40"	6.75"	1"	1/2"
UVBB0660	6.60"	6.95"	1"	1/2"
UVBB0680	6.80"	7.15"	1"	1/2"
UVBB0740	7.40"	7.75"	1"	1/2"
UVBB0860	8.60"	8.95"	1"	1/2"
UVBB0940	9.40"	9.75"	1"	1/2"
UVBB1100	11.00"	11.35"	1"	1/2"
UVBB1240	12.40"	12.75"	1"	1/2"



NOTE!
UHMW-PE

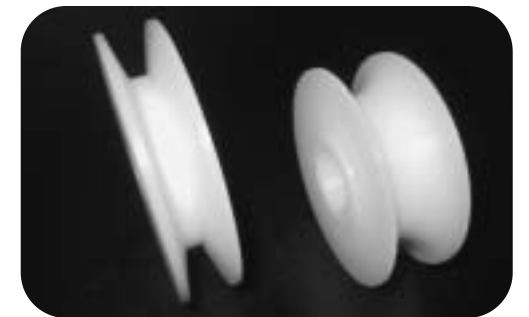
Power Plastics also manufactures pulleys in either B or C hubs. Just specify the hub type when ordering. The most common material used for pulleys is UHMW-PE Nat. but Power Plastics also manufactures pulleys from nylon and acetal.



Pulleys

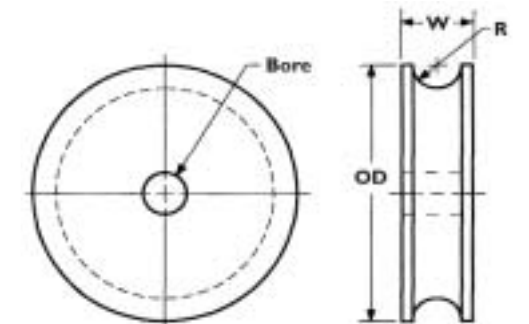
1/4" Round Belt Pulleys

P/N	PD	W	R	Stock Bore
URBP02404	1.50"	1/2"	9/64"	1/4"
URBP03404	2.00"	1/2"	9/64"	1/4"
URBP04004	2.50"	1/2"	9/64"	1/4"
URBP04804	3.00"	1/2"	9/64"	1/4"
URBP05604	3.50"	1/2"	9/64"	1/4"
URBP06404	4.00"	1/2"	9/64"	1/4"
URBP07204	4.50"	1/2"	9/64"	1/4"
URBP08004	5.00"	1/2"	9/64"	1/4"



3/8" Round Belt Pulleys

P/N	PD	W	R	Stock Bore
URBP02404	1.50"	1/2"	9/64"	1/4"
URBP03404	2.00"	1/2"	9/64"	1/4"
URBP04004	2.50"	1/2"	9/64"	1/4"
URBP04804	3.00"	1/2"	9/64"	1/4"
URBP05604	3.50"	1/2"	9/64"	1/4"
URBP06404	4.00"	1/2"	9/64"	1/4"
URBP07204	4.50"	1/2"	9/64"	1/4"
URBP08004	5.00"	1/2"	9/64"	1/4"



1/2" Round Belt Pulleys

P/N	PD	W	R	Stock Bore
URBP04808	3.00"	3/4"	17/64"	1/4"
URBP05608	3.50"	3/4"	17/64"	1/2"
URBP06408	4.00"	3/4"	17/64"	1/2"
URBP07208	4.50"	3/4"	17/64"	1/2"
URBP08008	5.00"	3/4"	17/64"	1/2"
URBP08808	5.50"	3/4"	17/64"	1/2"
URBP09608	6.00"	3/4"	17/64"	1/2"
URBP10408	6.50"	3/4"	17/64"	1/2"
URBP11208	7.00"	3/4"	17/64"	1/2"
URBP12008	7.50"	3/4"	17/64"	1/2"
URBP12808	8.00"	3/4"	17/64"	1/2"
URBP14408	9.00"	3/4"	17/64"	1/2"
URBP16008	10.00"	3/4"	17/64"	1/2"

